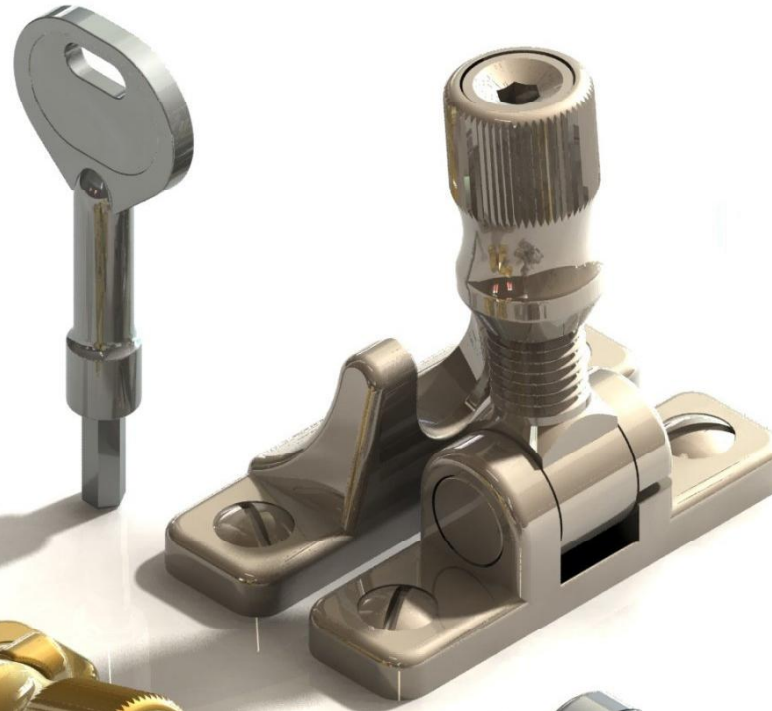




© Copyright Frank Allart 2007

0190LK
Lockable versions
supplied with key



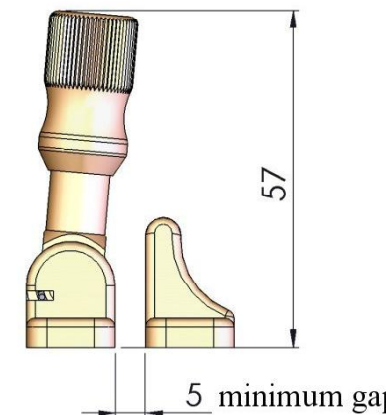
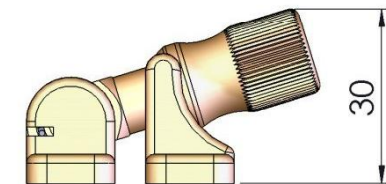
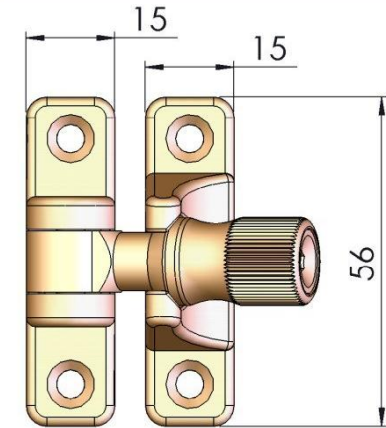
Narrow base
(only 15mm wide)



0190
Non lockable version



Frank Allart & Co. Limited
15-35 Great Tindal Street,
Birmingham, B16 8DR, UK.
Tel: +44 (0) 121 410 6000
Fax: +44 (0) 121 410 6066
E-mail: sales@allart.co.uk
website: www.allart.co.uk



0190 & 0190LK Brighton Pattern Sash Fasteners

AVAILABLE IN BRASS, CHROME, NICKEL AND IMPERIAL BRONZE FINISHES