



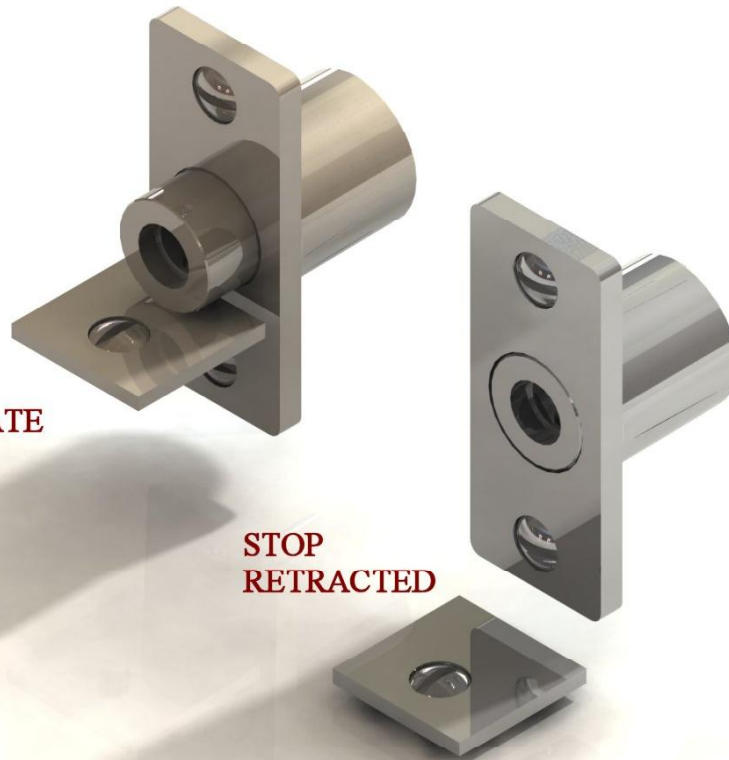
© Copyright Frank Allart 2006



0203KEY

125mm long key designed to accommodate all applications

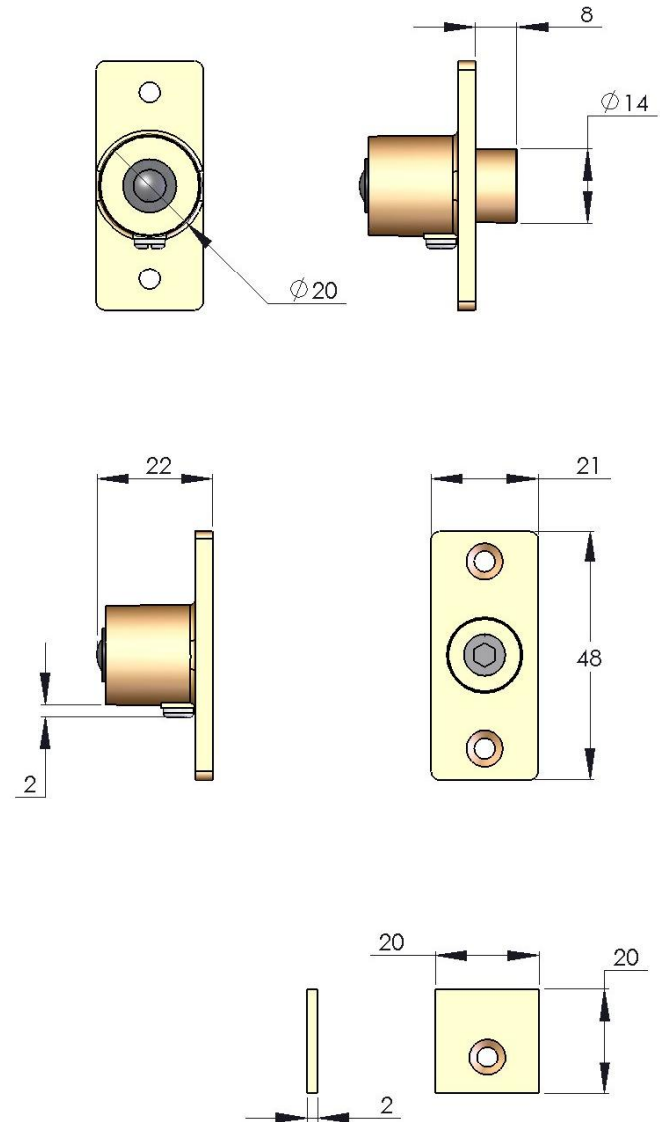
0203
Sash Stop



STOP ENGAGED
WITH STRIKE PLATE

STOP
RETRACTED

Frank Allart & Co. Limited
15-35 Great Tindal Street, Birmingham, B16 8DR, UK.
Tel: +44 (0) 121 410 6000
Fax: +44 (0) 121 410 6066
E-mail: sales@allart.co.uk
website: www.allart.co.uk



AVAILABLE IN ALL BRASS, CHROME, NICKEL AND IMPERIAL BRONZE FINISHES