

Copyright Frank Allart 2010

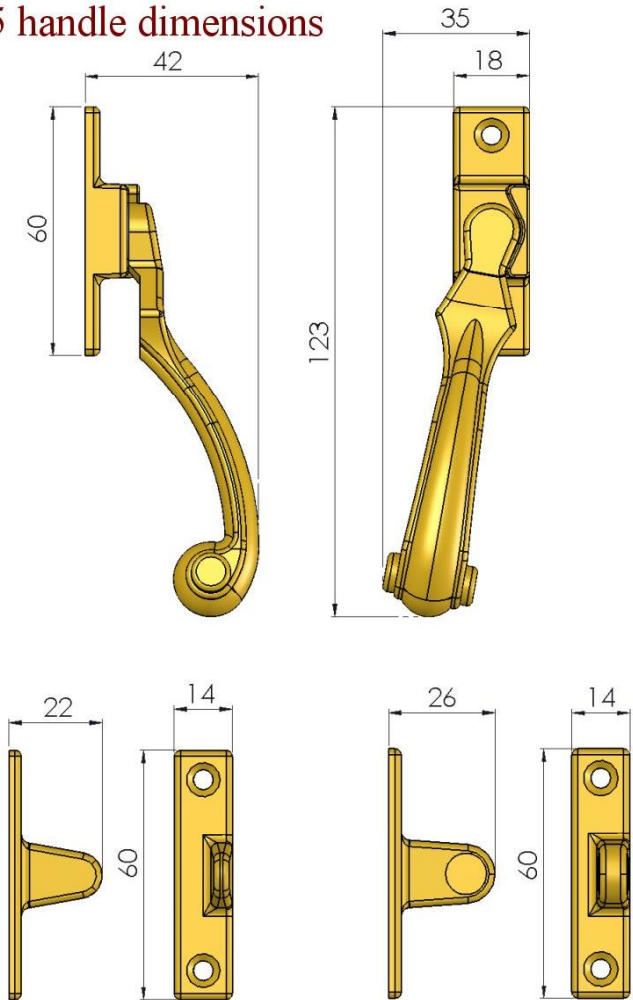
0335

0335LK (supplied with key)



Frank Allart & Co. Limited  
15-35 Great Tindal Street,  
Birmingham, B16 8DR, UK.  
Tel: +44 (0) 121 410 6000  
Fax: +44 (0) 121 410 6066  
E-mail: [sales@allart.co.uk](mailto:sales@allart.co.uk)  
website: [www.allart.co.uk](http://www.allart.co.uk)

0335 handle dimensions



**0335 Reversible Window Handles**  
(Add LK to code for locking version eg. 0335LK)

AVAILABLE IN BRASS, CHROME, NICKEL & IMPERIAL BRONZE FINISHES

Non locking Wedge Plate.

Locking Wedge Plate.