



Copyright Frank Allart 2011



0380

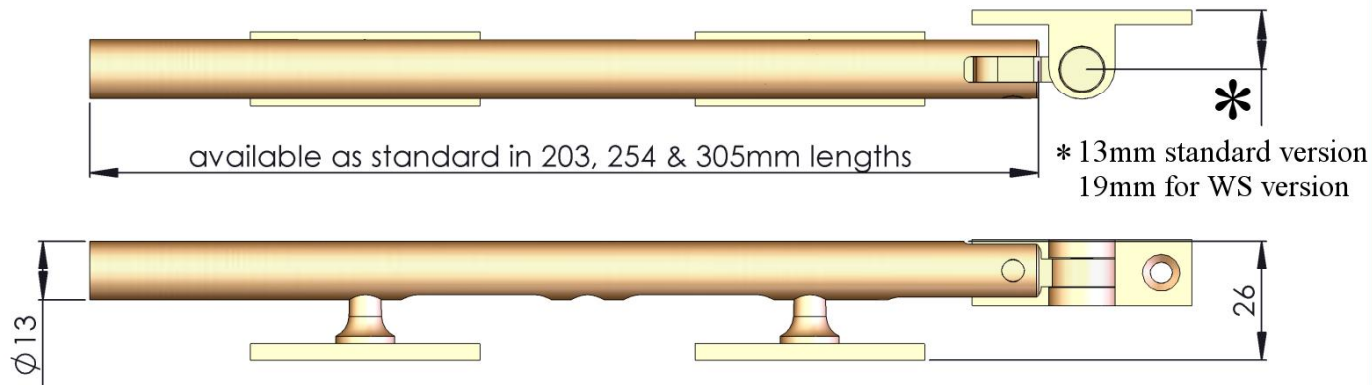
0381

0382

0383

Extended Earplate Weather Seal (WS) versions also available.

0380 - 0383 Round Section Window Stays AVAILABLE IN BRASS, CHROME, NICKEL & IMPERIAL BRONZE FINISHES



Frank Allart & Co. Limited
15-35 Great Tindal Street,
Birmingham, B16 8DR, UK.
Tel: +44 (0) 121 410 6000
Fax: +44 (0) 121 410 6066
E-mail: sales@allart.co.uk
website: www.allart.co.uk