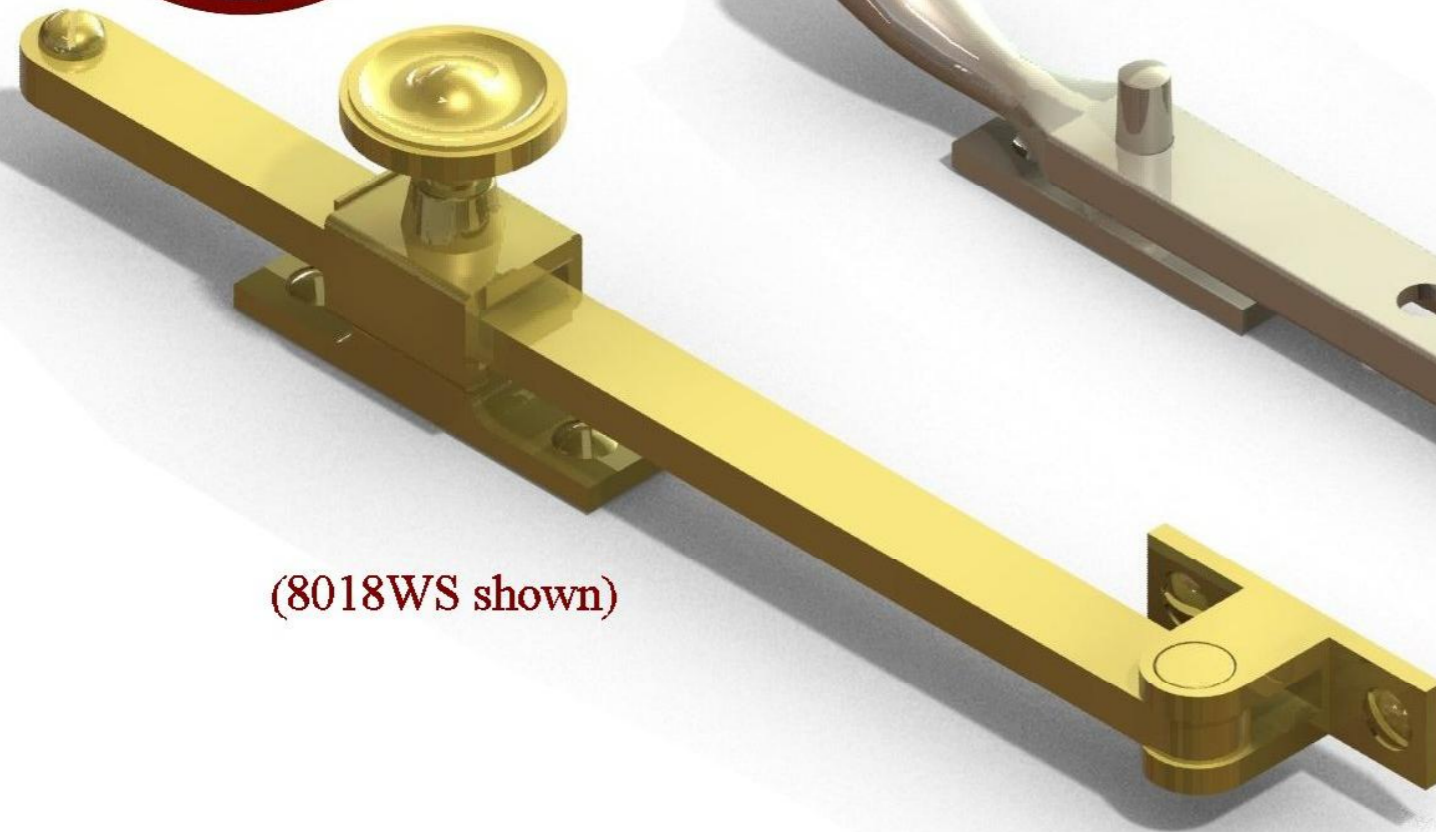




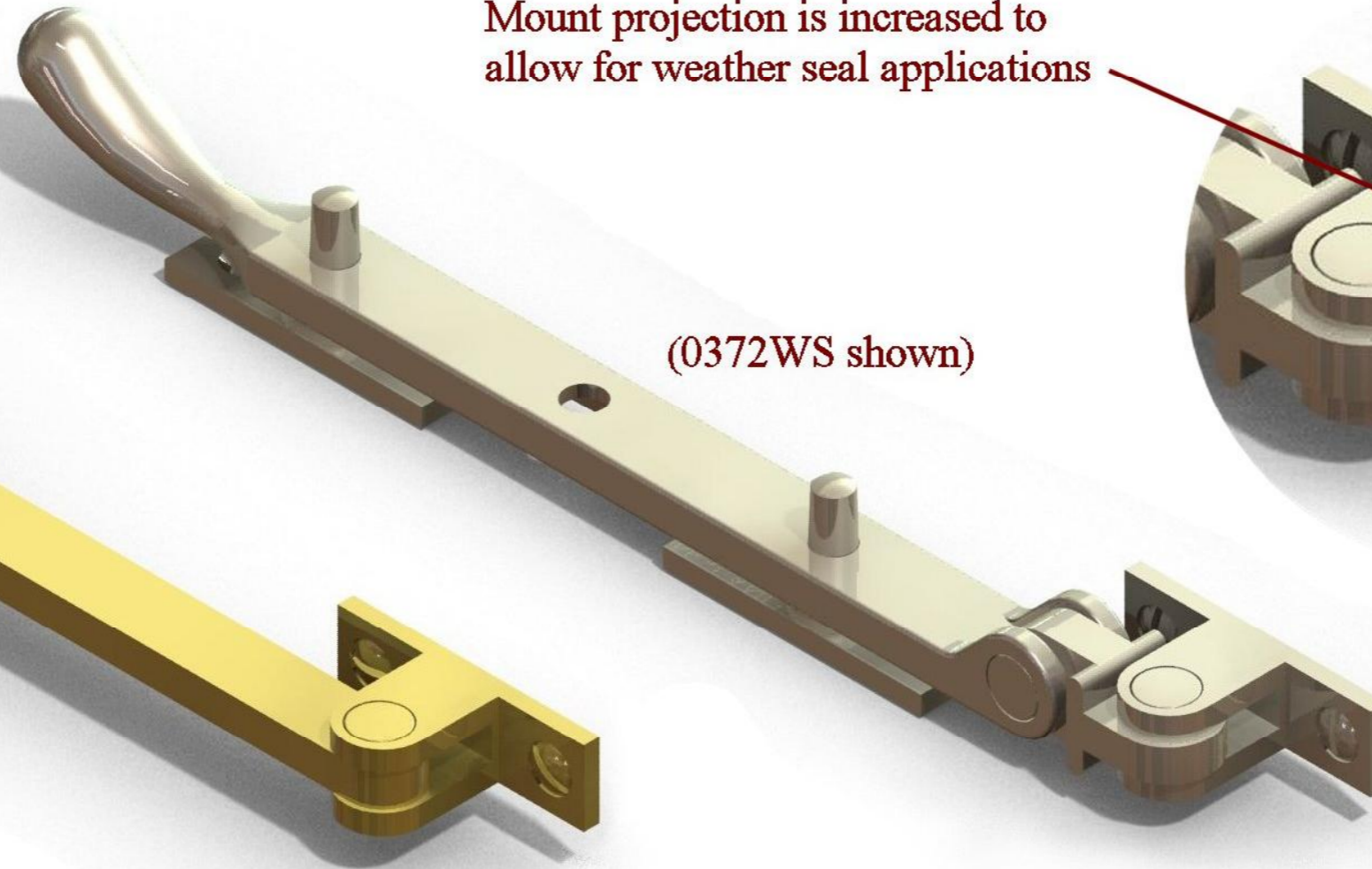
Copyright Frank Allart 2010

Extended Mount Weather Seal (WS) option is available on all Allart Stays and Sliding Stays.

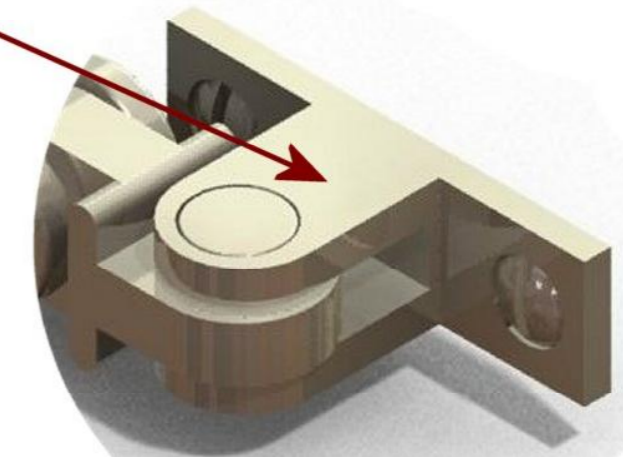
Mount projection is increased to allow for weather seal applications



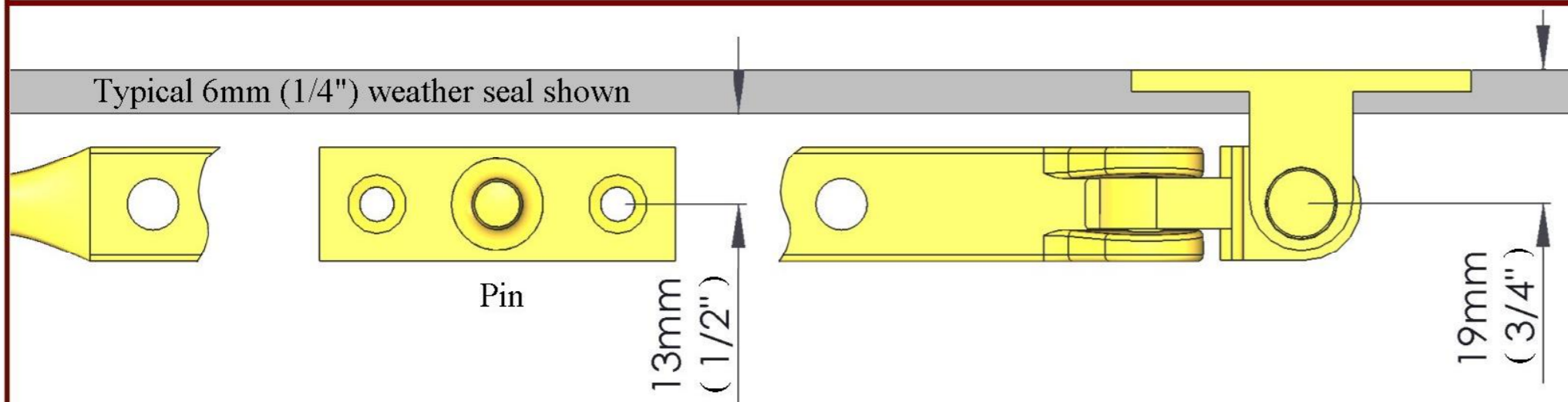
(8018WS shown)



(0372WS shown)



"WS" Window Stay Option



Pin fixing screws can now be positioned 13mm inboard of the frame ensuring a secure fixing.

WS version is 19mm projection. (Standard version is 13mm)

Frank Allart & Co. Limited
15-35 Great Tindal Street,
Birmingham, B16 8DR, UK.
Tel: +44 (0) 121 410 6000
Fax: +44 (0) 121 410 6066
E-mail: sales@allart.co.uk
website: www.allart.co.uk